

EV Charging point installation requirements
CityCharge V2
2 x 22 kW

1. City Charge D specifications:

Requirements for mains power feed	3 phase, 400 V AC: PE, N, L1, L2, L3 / 50 Hz
Max current	2 x 32 A / 64 A
Max power	2 x 22 kW / 44 kW

2. Requirements for mains cable:

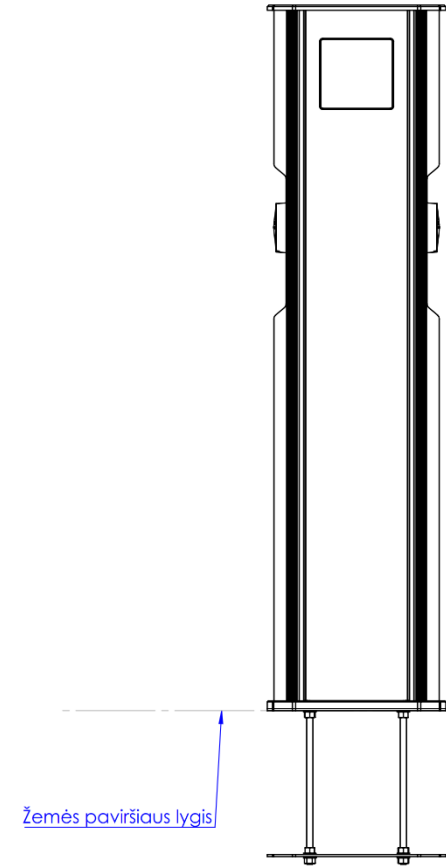
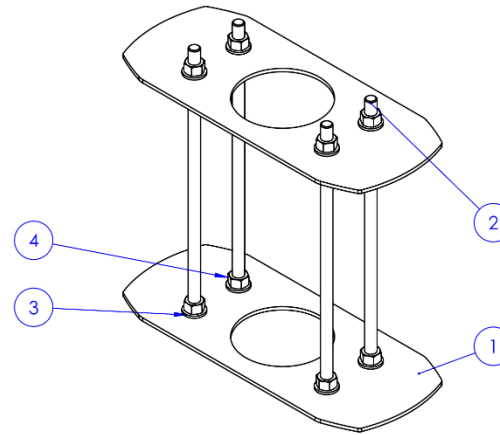
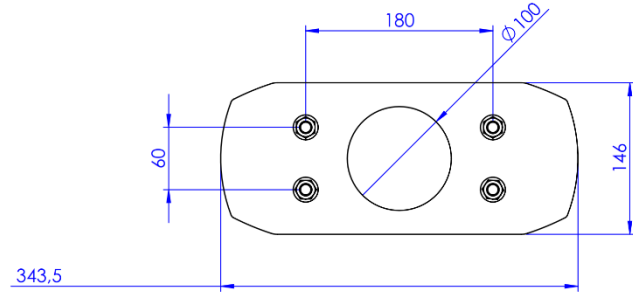
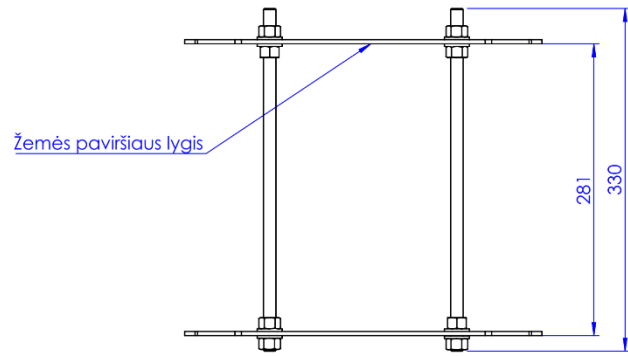
Mains cable	1 pcs. multicore copper cables 5x16 mm ² (up to 30 m.)
Cable height from ground	0,5 m.
Circuit breaker device inside distribution cabinet	1 pcs. 80 A, 30 mA, 3 pole, C characteristic

3. Requirements for concrete base

Concrete class	M300 / C25/30
Base surface area (see drawing)	At least 150 x 350 x 1000mm (LxWxD)
Cable position in concrete base	In the geometrical center of concrete base (see drawing)
Embedded pad (see drawing)	Charging station must be mounted on the Embedded pad in order to mount it on paved surface.

- EV Charging point must be installed only by the professionals, who is conversant with electrical safety instructions. Person, who installed charging point is responsible for correct functioning and safe usability of the charging point, considering all the laws and rules applicable in the country in which charging point is installed
- Mains power feed cable must be installed only by the professionals. Extra caution must be taken choosing cable cross-sectional area and protection devices: MCB; RCCB. Also acceptable earth resistance must be guaranteed. It is recommended to perform resistance measurements of transient contacts and the ground loop resistance.

ITEM NO.	PART NUMBER	DESCRIPTION	QTY.
1	CC016.S1.S1.D001	Betonuojamo pado plokstele	2
2	CC016.S1.S1.D002	Ilgasriegis	4
3	Washer DIN 125 - A 13		16
4	Hexagon Nut ISO 4032 - M12 - D - N		16



SCALE 1 : 10

Nurodyti matmenų tolerancijos pagal ISO 2768-m	0,5 - 3 mm	3 - 6 mm	6 - 30 mm	30 - 120 mm	120 - 400 mm	400 - 1000 mm	1000 - 2000 mm	2000 - 4000 mm
		+ 0,1	+ 0,1	+ 0,2	+ 0,3	+ 0,5	+ 0,8	+ 1,2

Papildoma informacija		UAB Elinta		
		Pavadinimas <i>Ibetonuojamas tvirtinimo padas</i>		
		Failas <i>CC016.S1.S1</i>		
Projektavo <i>M. Blujus</i>	Medžiaga	Konfiguracija <i>Default</i>	Gaminyo <i>CC016</i>	
Tikrinio	Medžiagos storis <i>mm</i>	Padengimas	<i>A3</i>	Data <i>2017-02-20</i>
Gamina	Svoris, tūris <i>3648.13 g</i>	Kiekis surinkime: <i>1 vnt.</i>	Lapas <i>1/1</i>	Mastelis <i>1:5</i> REV.